

**KITSAP DESTRUCTION
DERBY ASSOCIATION
2025
BUILD RULES**

TABLE OF CONTENTS

Article I. Eligible Cars

Section 1.01 Big Cars

Section 1.02 Mini cars

Section 1.03 Special Event Cars

Article II. General Building Rules

Section 2.01 What must be removed

Section 2.02 Building, Welding, and Securing

Section 2.03 Brakes

Section 2.04 Tires, Wheels, and Tie rods

Section 2.05 Sign Boards and Flags

Section 2.06 Repairing your vehicle

Section 2.07 Miscellaneous Restrictions

Article III. Front End of Car Build Rules (Firewall to front bumper)

Section 3.01 Window Openings

Section 3.02 Cooling System/Radiator

Section 3.03 Motor Mounts

Section 3.04 Protectors-Distributors/Motor/Tranny/Headers

Section 3.05 Exhaust

Section 3.06 Carburetor

Article IV. Middle to Rear of Car Build Rules (Firewall to trunk)

Section 4.01 Gas Tank and Fuel Pump

Section 4.02 Batteries

Section 4.03 Safety Bracing

Section 4.04 Harness and Seat

Section 4.05 Rear Ends and Hump Plates

Article V. Special Event Rules

Section 5.01 Roll Over

Article I. Eligible Cars

Section 1.01 Big Cars

- (a) Any year sedan, station wagon, panel, ambulance, Travelall, Suburban, or Pickup truck is allowed to race but not finale unless a special event.
 - 1. Panels, ambulances, Travelalls, Suburbans, pickup trucks, pre-1974 Chrysler Imperials are excluded from finale. (For this application, El-Caminos and Rancheros are considered acceptable for finale).
- (b) The vehicle must be determined safe by the Tech Boss at the time of the event.
- (c) No active four-wheel Drive, all wheel Drive, or convertible vehicles are allowed.

Section 1.02 Mini Cars

- (a) Any year sedan, station wagon, coupe, truck or SUV that meets the following:
 - 1. Cars that have been equipped from the factory with a 4-cylinder or 6-cylinder engine.
 - 2. Trucks and SUVs that have been equipped from the factory with no larger than 4-cylinder engine.
 - 3. Wheelbase must be 106” or less for rear-wheel-drive car, 107.25” or less for front wheel drive car, 118” or less for compact truck/SUV.
 - 4. No active four-wheel Drive, all-wheel Drive, or convertible vehicles are allowed
 - 5. Cars can finale with Pick-Up truck rear ends so long as the rear end came from a mini truck.
 - 6. No full frame vehicles will be allowed to finale.

Section 1.03 Special Event Vehicles

- (a) Special event vehicles must comply with rules decided by the association for the event. (See specific rules/regulations for the special event for details.) The tech crew has requested that the team captains, before each event notify the tech crew of specific criteria.

Article II. General Building Rules

Section 2.01 What must be removed:

- (a) All glass, including windshield MUST be removed.
- (b) Flammable materials inside the car must be removed. This includes the carpet, the rear seat, and interior trim. Do not forget the door panels and roof liner.
- (c) All light covers/bulbs, side mirrors, hubcaps, grill, side chrome, plastic, and pot metal must be removed. Side chrome shall mean anything below the window frame. Door handles are allowed as is the rearview mirror.
- (d) All trailer hitches, related brackets, reinforcements, and factory fuel tanks.

Section 2.02 Building, Welding, and Securing

- (a) All doors must be securely fastened by either welding, pinning them with a minimum ½” bolt, or chaining them in a minimum of one place. If the side irons extend the full width of the door, no other method of fastening is required.
 - 1. 1/8” plating may be added to exterior of door skin on front doors only and may not extend past door skin.
 - 2. When securing door seams you may use 2” wide 1/8” thick strapping and or up to ½” rebar.
- (b) Hoods can be bolted in a maximum of 6 places other than stock, in which only 2 may go to the frame. Bolt size must be a minimum of ½” and maximum of 1”. MAX plate size is 6”x6”. Bolts must not exceed 4” above the vehicle surface. Chains can be a maximum of ½” welded type. Hoods may be welded instead of bolted, a 6”x6”x1/4” plate may be used in place of a bolt, but hood center must be cut out large enough to fully inspect under the hood if welded down.
- (c) Trunks may be fastened using chains, bolts, or welds. Welds can be 5” long with a 5” gap to the next weld on the outside of the trunk sheet metal only. If using flat plates, it must not exceed 5”x2”x1/8” in each place. If bolting, plate size cannot exceed 6”x6”, and all thread (1” MAX) only, two may go through the frame or floor area. Not to exceed 6 bolts or chains. Canoeing of the trunk is allowed with approved Gas Tank Protection. Further plans for this build will be determined by Tech to provide safety for the drivers. ***Truck tail gates will be recognized as a trunk and will follow trunk lid attachment.***
- (d) Body mounts may be removed. If replacing bolts, you may use bolts/all thread no larger than ¾”, MAX 3”x3”x1/4” washer/plate. Washer WILL NOT cover body mount hole on exterior of frame. Must be able to see inside the frame and cannot be welded to the frame. In addition, you may add two (2) body mounts to the frame No larger than ¾” bolts/fasteners. MAX washer size is 3”x3”x1/4”. Must be brightly painted for easy viewing. If your station wagon came with the body bolts in the humps, these are your 2 additional mounts. You will NOT be allowed to add more mounts. ***Truck cabs may be attached to the front of the bed with (2) 1” bolts with up to 6” plates while not counting as additional body mounts.***
- (e) Welding over factory seams without adding any metal other than wire is permitted.
- (f) No plug welding of frame holes.
- (g) For bumper: OEM bumpers and isolators per class may be used. Attachment by welding and bolting without adding additional material, not to extend further than the front of the upper control arm/strut tower. Top of bumper must not exceed 28” from the ground when new. Only one set of bumper brackets/mounts per car.
 - 1. OEM bumpers may be substituted with up to 4”x4” box tubing while being no wider than the vehicle. Back of bumper must be flat, up to a 2” point may be added in the center of the bumper facing forward with the transition of the point no wider than frame rail. OEM bumpers and the above mentioned fabricated bumper may be reinforced inside the skin and in front of the back of the bumper (Between the chrome outer skin and the back outer skin)
 - 2. Maximum of (2) 3” x 3/16” up to 36” bumper straps may be added from the front bumper to the upper core support. Straps shall not extend more than 3” attachment on bumper or core support.
 - 3. Front bumper isolators may be substituted with ¼” x4” flat bar extending from the bumper no further than the front of control arm / strut tower / axle (front) attached to each frame rail on one side only, not to exceed 4” attachment to the bumper. Brackets may follow the contour of the frame, bending up to a 1” TEEPEE into the entire length of the bracket is acceptable.
 - 4. Rear bumper isolators may be substituted with ¼” x 4” flat bar extending to no further than 10” forward of the bumper and attached to each frame rail on one side only, and not to exceed 4” attachment to the bumper. Must remain flat on frame. Must not be more than 14” in total length.

5. Mini cars may run full-size bumpers. Bumper length must not go past the width of the car.
- (h) A chain or cable must be attached to the frame on the front of the car for the tow trucks to use if/when the vehicle needs to be towed off the track.
- (1) May lock suspension down with 2 straps, max 2"x1/4" maximum 6" long strap per upper A arm only. For strut type front ends they may be locked using tubing material no thicker than 1/8" and sleeve must not exceed the coil area of the strut.
- (2) OEM spindles for that class vehicles must be used.

Section 2.03 Brakes

- (a) All vehicles must have functioning brakes.

Section 2.04 Tires, Wheels, and Tie rods

- (a) The brand of tires is optional. The horizontal tread will be not more than 5/16" and the side lug will not exceed 7/16". Only steel wheels will be permitted. The tech crew may check your spare tires. Running on an illegal tire will result in loss of pay and points; additionally, you will be suspended for the night.
- (b) All drive tires must be covered halfway down the wheel or flaps must be put on.
- (c) Wheel wells may be trimmed.
- (d) Welding washers on wheels for valve stem protection is permitted.
- (e) Tie rods may be reinforced.
- (f) Studded tires that meet 2.04(a) requirement above shall have studs removed.
- (g) No Aluminum, split rims or multiple piece rims will be allowed.
- (h) May use weld-in-centers – max 3/8" thick.
- (i) On 2003 and newer Ford products, if using an after-market cross member it must bolt in and use stock OEM suspension and steering components for that class.
- (j) Any Tire and wheel combination except for foam filled tires for finale only

Section 2.05 Sign Boards and Flags

- (a) Car numbers will be painted on the sign board. Numbers shall be at least 18" high and a minimum of 2" thick. They shall also be painted on the passenger side roof of the vehicle, also 18" tall. Signs need to be in contrasting colors (i.e. black lettering on white background). If the sign board is unreadable, the car will not be permitted to race until it is corrected. In the event of a roll over, your sign board must have the ability to collapse. For trucks, the lower corner of the number must be above the bed rail.
- (b) Sign board codes must be a minimum of 4"x4". The codes are:
 1. "R" to be used for Rookie (first KDDA year) drivers.
 2. "E" to be used for electric fuel pumps.
 3. "F" to be used for vehicles to be in ONLY the finale
 4. "X" to be used for special event vehicles
 5. "T" to be used for team cars
- (c) American Flags may not be flown from your vehicle. You may paint them on.
- (d) Sign boards on Pick-Ups MUST be visible from the tower.

Section 2.06 Repairing Your Vehicle

- (a) Body – When repairing damaged cars, you cannot use material thicker than stock. This may be checked at any time during the night of racing.
- (b) Frame – When repairing damaged cars, you may use four (4) 6"x6"x3/16" plates per frame section (per quarter). Plates or welds may not touch each other. They may not attach to each other. Repaired pieces must have an inspection hole drilled in the center of the plate. 4 plates RF frame 4 plates RR frame, 4 plates LF frame, and 4 plates LR frame. That's 16 total plates. You may not add any more than this. **YOU MAY NOT TAKE PLATES AWAY FROM ONE (1) FRAME SECTION AND ADD TO ANOTHER.**

Article III. Front End Builds

Section 3.01 Window Opening

- (a) Window opening (a) A protective screen ½" wire mesh or smaller must be installed in front of driver. Vehicles with passengers must have complete windshield area protected. Cars with a sunroof are allowed as long as the opening is securely covered with wire mesh, ½" or smaller. One strap of 3/16"x2" wide (round stock or channel is acceptable) down the center of the windshield from top to bottom. These are the minimum requirements.
- (b) Optional rear window bars may be added no more than 6" extension on roof and lower attachment must not exceed 10" behind front trunk seam. Deck lid fastening points will not count as two trunk hold downs. They may be no larger than 2"x1/4" box tubing or ¼" flat plate, maximum of 2 each, parallel with the roof. Window bars may not be attached to the truck pins or halo bar.

Section 3.02 Cooling System/Radiators

- (a) Cooling system, other than stock may be permitted at Tech Discretion. Radiators and/or fans may be removed. Expansion tanks must remain in engine compartment as close to the stock location as possible. Heater cores must be secured and covered if left in the car. Radiator support or radiator attachment shall be no stronger than what is stock.
- (b) Transmission coolers other than stock, if used, must be in the back-seat area, below the window level. Transmission coolers and all hoses must be shielded from the driver. A hole must be cut in the floor to allow for fluid to run off or leaks.
- (c) No metal cooling fans are allowed for any class.

Section 3.03 Motor Mounts

- (a) Motor mounts and transmission mounts may be strengthened with bolts, welds, or chains. Motor straps welded to the frame and bolted to the motor are allowed. Straps can have a maximum thickness of ¼" flat bar only and are limited to two straps on each side. Engine supports may be used so long as they are not reinforcing the frame.
- (b) Engine cradle must be bolted, not welded. When using a motor conversation kit/adaptor there is a maximum of 12" of weld allowed.
- (c) 2"x2"x3/16" box tubing may be used as a transmission cross member.
- (d) Engine must be located in-front of original firewall, any openings into the passenger compartment larger than 8" in diameter must be covered.

Section 3.04 Protectors-Distributor/Motor/Tranny/Headers

- (a) Distributor plates, no larger than 2” on either side of the distributor may be used. They will be attached in no more than four places and must be mounted only to the motor. Distributor plates must be at least 6” forward of the front cross pin at tech. Never to touch the dash bar.
- (b) Crankshaft Pulley protectors are allowed, must remain within 6” of face of harmonic balancer. Transmission protectors may only be used on rear wheel drive cars and may only be attached to the cross member in a max of two spots.
- (c) Header protectors may be allowed in rear wheel drive cars only.
- (d) Intake / carb protector may be used on Front wheel drive vehicles with transverse mounted engines (sideways)
- (e) Protector must not be wider than the engine block including pulleys. Must not extend further than 3” from the intake / carb being protected.
- (f) Big car class only will be allowed up to (2) “kickers” using 2”x2” ¼” wall thickness attaching from the front cross bar and connect to the frame behind the upper control arm rear mounting point. Fix-it plates will not be allowed to touch these bars. Full cradle and or the use of trans protection will not be allowed when using front kickers. Lower cradles will be allowed while using (2) bolts in the motor mount area. *****Front cross pin must be securely mounted to the vehicle, the pressure moved to the cross brace will be extreme***** Please reach out to tech for advice if you are not familiar with this!

Section 3.05 Exhaust

- (a) Stack outlet must be a minimum of 6” above the hood. No flared tips are allowed. Turnouts are at the tech crew discretion.

Section 3.06 Carburetor

- (a) Vehicles must have either an air cleaner or suitable flame arrestor. A minimum of one 6” unobstructed hole must be cut in the hood for fire extinguisher access.

Article IV. Mid to Rear Vehicle Build Rules

Section 4.01 Gas Tank and Fuel Pump

- (a) A limited capacity of 6 gallon or less metal tank or racing fuel cell is required (*Stock fuel tanks are no longer allowed*) You must solidly mount it in the interior of the car, ahead of the rear axle using a minimum 2” strap or 5/16” chain using 3/8” minimum bolts. The tank must be located at least 8” for mini cars or 12” for big cars from the inner door panels.
- (b) Metal splash shields must be installed between gas tank and drivers and must be securely fastened. One exception: Racing fuel cells do not require additional splash shields.
- (c) Gas lines and fittings must be leak proof. NO EXCEPTIONS. Rubber fuel lines located inside the passenger compartment must run through a second larger hose such as a garden hose.
- (d) Electric Fuel pumps are optional. The device must be easily visible and switch easily identifiable. The letter “E” must be painted on your sign board.

Section 4.02 Batteries

- (a) All batteries must be relocated inside of the vehicle while being securely fastened using minimum 3/8" fasteners with washers to the floor or cage structure. All Lead / Acid type batteries must be located in a fully enclosed battery box of metal construction and securely closed using minimum of 5/16" bolts or 2" straps. Dry cell type batteries while being securely mounted do not require a box but do require a rubber shield.
- (b) Switches or wires used for powering off the car must be within reach of the driver while harnessed into the seat.

Section 4.03 Safety Bracing

- (a) A front cross-brace must be installed from window post to window post, above and as close as possible to the steering column (where the dashboard once was). It must be constructed using a minimum of 2" pipe with 1/4" wall and be securely fastened into position. If a 2-piece pipe is used it must be securely fastened so that it cannot collapse. You may leave the dashboard in a mini car.
- (b) A rear cross brace must be installed from door inner skin to door inner skin, as close to the door posts as possible and at least halfway up from the floor. It must be made of a minimum 2" pipe (mini cars), and 3" (big cars) with 1/4" thickness, and plates welded on the ends. The cross brace must be bolted with a minimum of two 3/4" bolt or all-thread (curly rod is not acceptable) per side, extending through the side irons. (See diagram), (See Rule 4.03(e)). If the cross brace is collapsed, it must be pinned with a minimum size of 3/4" bolt or all-thread (curly rod is not acceptable) or welded so it cannot rotate. Bracing (side shift bar) is mandatory to run from rear cross brace to the floor or frame area to prevent side shift of cross bar. The side shift bars must be located directly under the cross pin and be firmly attached to vehicle body or frame. The side shift bars must stay in line with the cross pin and may not extend toward the rear of the vehicle in any way.
- (c) All cars must have a minimum of one upright (vertical) post behind the driver's seat, but two is recommended. The upright must be made of a minimum 2" pipe with a 4"x4" plate welded to the top. The upright will extend from the roof to the cross bar or to the floor and must be welded to the crossbar and must be located as close to the seat as is possible. It must be attached with a minimum of two 3/8" bolts on each end. Backing plates (exterior of car) must be used and a maximum of 6"x6" x1/8" thick on both top and bottom (if extending to the floorboards) ends of the upright (see diagram). Note: if using a 2-piece upright, the female end should be above the helmet level, unless the upright is welded or solidly pinned with a 3/4" bolt or all-thread (curly rod is not acceptable) minimum.
- (d) Gas tank protectors may be added behind the rear cross bar assembly and will not extend beyond the rear axle. It may not be connected to the frame or body of the vehicle. Must be in line with the wheel well and cannot be welded or bolted to the sheet metal.
- (e) Both front doors must be reinforced with a minimum 8" height, 1/4" thick channel iron. **Note** wider (height) irons are not necessarily stronger, web thickness should increase 1/16" for each increased inch of width (height) I.E. 9" wide should be 5/16" thick. Additional strength can be added by adding angle, square tubing, or smaller channel within the larger channel. If there are questions talk to tech before installing. The side iron must not be more than 6'6" and must begin ahead of the front door seam and be not more than 6" in front of the front door hinges. The channel iron must be centered on the door in a horizontal manner. No sloping side irons. The iron must be bolted with a minimum of three bolts or all-thread (curly rod is not acceptable) (3/4" minimum) that extended through the inner panels. Backing plates must be used and must be a minimum of 6"x6" on both front and rear ends of the iron. The front bolt must be located no further back than the front fender/front door seam at least two other bolts must go through the plate connected to the rear cross bar. If the front pin location is not possible due to electrical components, a third bolt must be as far forward as possible. (See diagram.) The ends of the side irons must be cut at a 45-degree angle. (see diagram.)

(f) Inside door bars- Outside door bars may be substituted with inside door bars, with a minimum requirement of 2x6x1/4" box tubing. When doing so the cross bars must be securely fastened. Must not exceed past rear seat area. **INSIDE DOOR BARS MUST BE PRE-TECHED, PRIOR TO RACE DAY. EXAMPLE DIAGRAM ATTACHED.**

(g) Up to (4) down bars may be added in the cabin area of the vehicle not to exceed 2"x2"x 1/4" box tubing attached from required safety bracing **straight down** to the floor or frame. Down bars do not replace the required shift bars noted in section 4.03 (b).

Section 4.04 Harness, Seat & Steering Column

- (a) Approved 4-point harnesses are mandatory (lap belt 3" min, shoulder belt min 2"). Lap belts must be mounted to stock mounts or have a 2" minimum flat washer using 3/8" minimum bolts where it is mounted through the sheet metal. The shoulder harness must be firmly attached to a secure area of the vehicle to allow a 45-degree upward slope to the center of the drivers shoulders. At the tech crew's discretion, you may secure the harness to the cross bar.
- (b) The seat may be OEM stock of any make/model car (Honda Prelude/CRX seats not recommended). It is recommended that you place a headrest on the upright behind the seat if the seat was not equipped with a headrest.
- (c) No fiberglass or plastic racing style seats.
- (d) All steering columns in rear wheel drive vehicles must have an added safety support to eliminate the column from dropping into the lap of the driver.

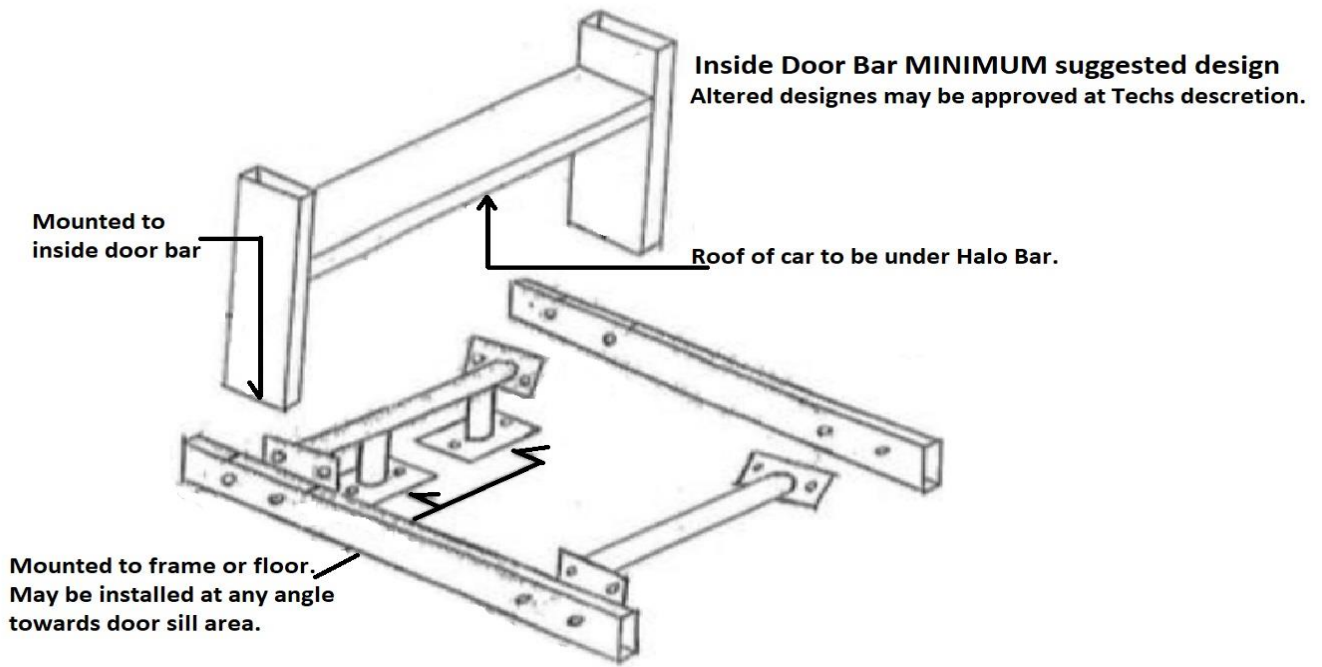
Section 4.05 Rear End Axle Build

- (a) All rear end axle modifications allowed as long as it fits in that class.
- (b) hump plates may be added on the outside of the frame while being centered on the rear axle not to exceed 4"x1/4" not to exceed 22" in length while following the frame contour. Bridging the frame with the hump plate is not allowed.

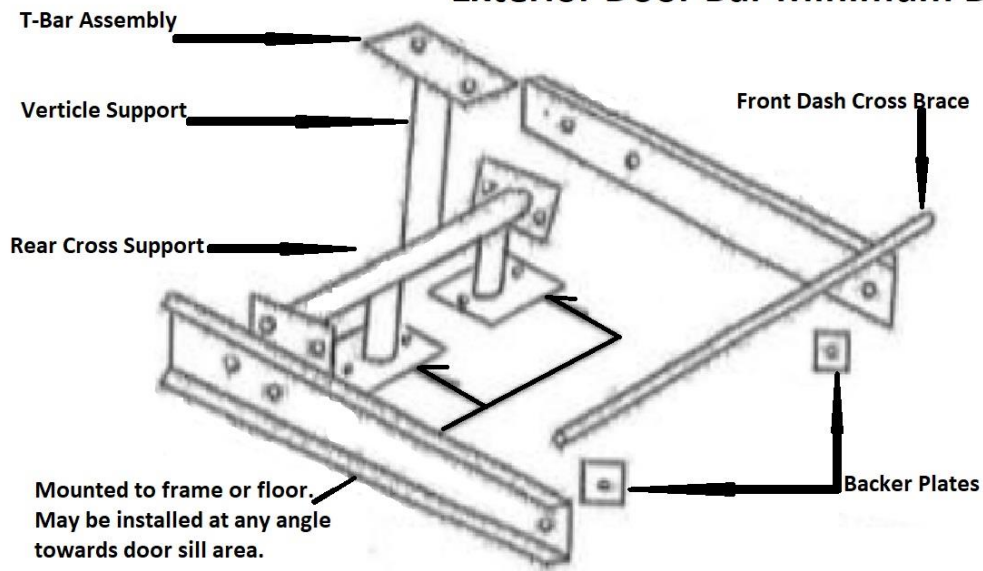
Article V. Special Event Rules

Section 5.01 Rollover

- (a) Must have at least one upright and one diagonal bar, 2" minimum located behind the driver's seat area. It must allow for full range of motion for the driver's head.
- (b) Driver door must have a net or screen.
- (c) At least a 4-point harness is required seat restraint.
- (d) All doors must be chained closed. Welds are optional in addition to chains.
- (e) All Wheel Drive vehicles are allowed for this event.



Exterior Door Bar Minimum Design



IF IT'S NOT IN THE RULES, DO NO DO IT!